

See Map 77
8

I-395

1
12.7

2
2.1

3
3.10

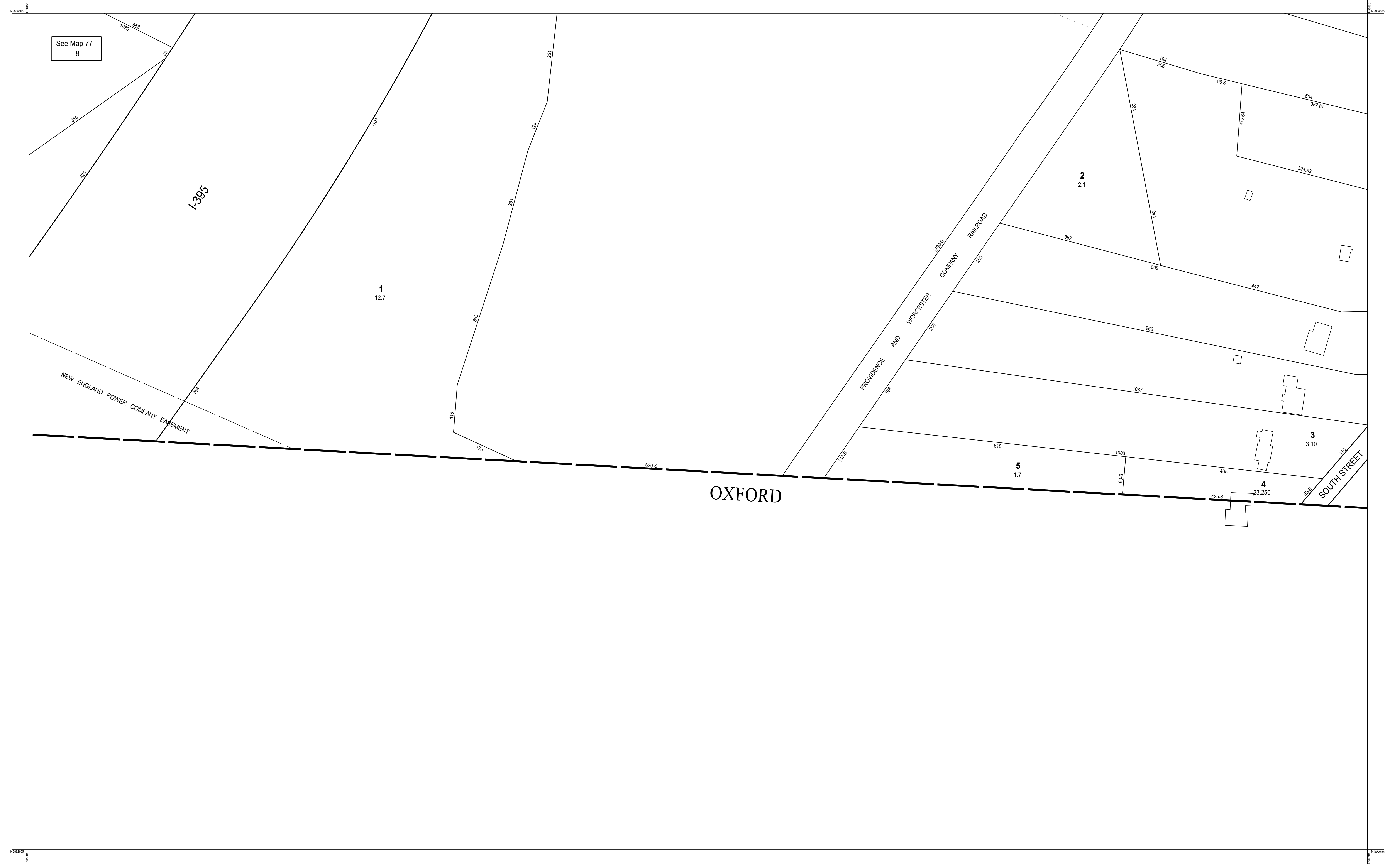
5
1.7

OXFORD

SOUTH STREET

PROVIDENCE AND WORCESTER RAILROAD COMPANY

NEW ENGLAND POWER COMPANY EASEMENT



THIS MAP IS FOR ASSESSMENT PURPOSES. IT IS NOT VALID FOR LEGAL DESCRIPTION OR CONVEYANCE.

ORIGINAL PROPERTY MAPS WERE PREPARED BY CULLINAN ENGINEERING COMPANY, INC., JANUARY 1972. THE ORIGINAL HORIZONTAL DATUM WAS THE MASSACHUSETTS STATE PLANE COORDINATE SYSTEM NAD 1927. CAI CONVERTED THE DATUM TO NAD 1983.

REVISED AND REPRINTED BY

11 Pleasant Street, Littleton, NH 03561
800.322.4540 - www.cai-tech.com

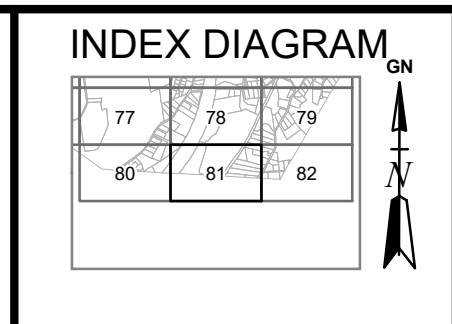
LEGEND

AREA OVER 1 ACRE - - - - - 1.2	EXEMPT PROPERTY - - - - - E
AREA UNDER 1 ACRE - - - - - 32,300	RIGHT OF WAY/ACCESS - - - - - RW
RECORD DIMENSION - - - - - 100	COMMON OWNERSHIP - - - - - CO
SCALED DIMENSION - - - - - 100-S	TRACT LINES - - - - - TL
WATER - - - - - W	WETLANDS - - - - - WT

SCALE: 1" = 100'

REVISED TO: JANUARY 1, 2019

PROPERTY MAPS
AUBURN
MASSACHUSETTS



MAP NO.
81